

### FEATURES

- TFT-Active Matrix-LCD Drive System
- 240 (V) × 720 (H) (Total 172,800) Dots (Delta Configuration)
- Slim, Lightweight and Compact:
  - Active Area/Outline Area: 57%
  - Thickness: 23 mm
  - Weight: 310 g
- Dual Mode Type (NTSC(M) and PAL (B, G) Standards)
- MBK-PAL, Which Enables the 240 Scanning Lines Panel to Display a Picture With Virtually 280 Scanning Lines
- Built-in Video Interface Circuit and Control Circuit Responsive to Two Sets of Standard RGB Analog Video Signals Which can be Superimposed
- High-Quality, Full-Color Rendition With Backlight Source Incorporated
- Viewing Angle:
  - LQ6RA01: 6 O’Clock Direction
  - LQ6RA02: 12 O’Clock Direction

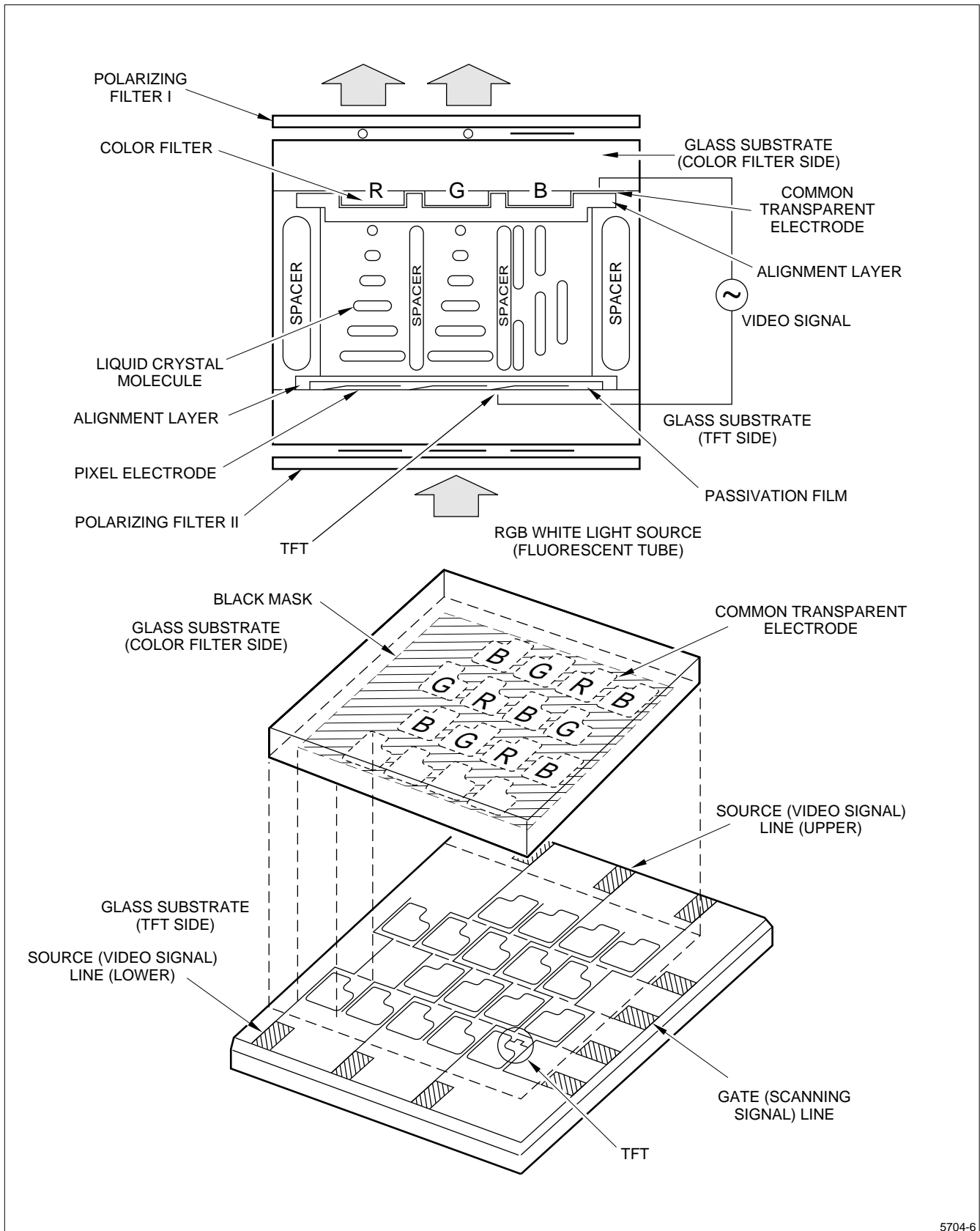
### DESCRIPTION

The SHARP LQ6RA01/LQ6RA02 Color TFT-LCD module is the active matrix LCD (Liquid Crystal Display) produced by making the most of Sharp’s expertise in liquid-crystal and semiconductor technologies. The active device is amorphous silicon TFT (Thin Film Transistor). The module accepts full-color video signals (composite video and analog RGB) conforming to the NTSC (M) system standard.

When additionally provided with the backlight-driving DC/AC inverter and a circuit for producing standard analog RGB video signals for composite video signal or micro-computers, it is applicable to pocket TVs and various display monitors.

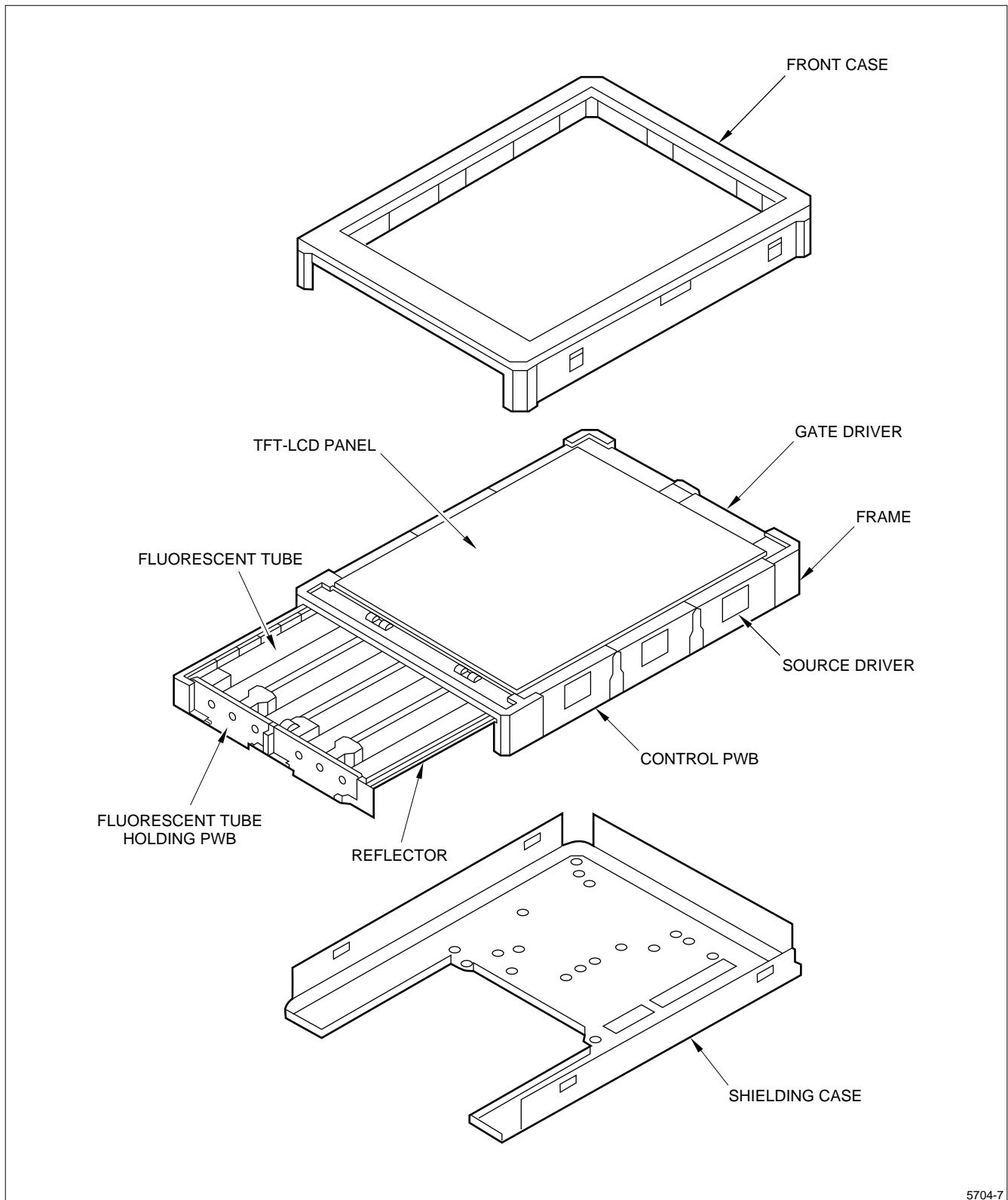
The module consists of a TFT-LCD panel, driver ICs, control PWB mounted with electronic circuits, fluorescent tube, reflector, frame, front and rear shielding cases.

**NOTE:** Backlight-driving DC/AC inverter is not built into the module.



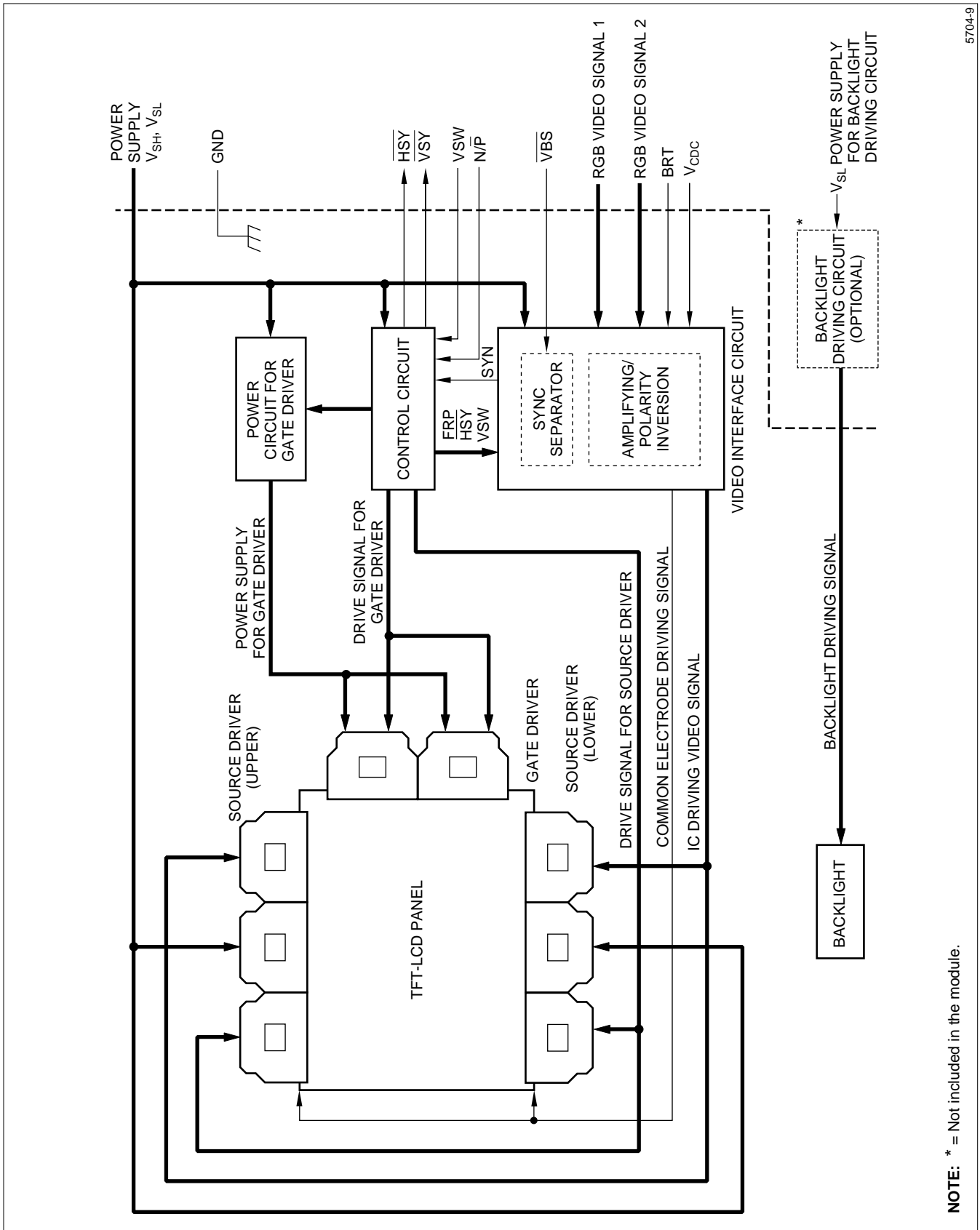
5704-6

Figure 1. LQ6RA01/LQ6RA02 TFT-LCD Panel



5704-7

Figure 2. LQ6RA01/LQ6RA02 TFT-LCD Module Construction



5704-9

Figure 3. LQ6RA01/LQ6RA02 TFT-LCD Module Block Diagram

NOTE: \* = Not included in the module.

## MECHANICAL SPECIFICATIONS

| PARAMETER         | SPECIFICATIONS               | UNIT | NOTE |
|-------------------|------------------------------|------|------|
| Display Format    | 720 (W) × 240 (H)            | dots | –    |
| Active Area       | 113.8 (W) × 87.6 (H)         | mm   | –    |
| Screen Size       | 5.7 (Diagonal)               | inch | –    |
| Dot Pitch         | 0.158 (W) × 0.365 (H)        | mm   | –    |
| Dot Configuration | RGB Delta Configuration      | –    | –    |
| Outline Dimension | 149.4 (W) × 117 (H) × 23 (D) | mm   | 1    |
| Weight            | 310 ±20                      | g    | –    |

## NOTE:

1. Excludes protrusions.

ABSOLUTE MAXIMUM RATINGS (GND = 0 V, t<sub>A</sub> = 25°C)

| SYMBOL           | PARAMETER  | MIN.                 | MAX.                 | UNIT             | NOTE |
|------------------|--|----------------------|----------------------|------------------|------|
| V <sub>SH</sub>  | Positive Power Supply Voltage                      | –0.3                 | +6.0                 | V                | –    |
| V <sub>SL</sub>  | Negative Power Supply Voltage                      | –9.0                 | +0.3                 | V                | –    |
| V <sub>i</sub>   | Analog Input Signals                               | –                    | 2.0                  | V <sub>P-P</sub> | 1    |
| V <sub>i</sub>   | Digital Input/Output Signals                       | –0.3                 | V <sub>SH</sub> +0.3 | V                | 2    |
| V <sub>CDC</sub> | DC Bias Voltage of Common Electrode Driving Signal | V <sub>SL</sub> –0.3 | –1.5                 | V                | –    |
| V <sub>BRT</sub> | Brightness Adjusting Terminal Voltage              | –0.3                 | V <sub>SH</sub> –0.3 | V                | –    |
| T <sub>stg</sub> | Storage Temperature                                | –25                  | 60                   | degrees          | 3    |
| T <sub>opp</sub> | Operating Temperature – Panel                      | 0                    | 60                   | degrees          |      |
| T <sub>opa</sub> | Operating Temperature – Ambient                    | 0                    | 40                   | degrees          |      |

## NOTES:

1.  $\overline{VBS}$ , VR1, VG1, VB1, VR2, VG2, VB2 terminal (Video signal).
2.  $\overline{HSY}$ ,  $\overline{VS\overline{Y}}$ , VSW, N/P terminals.
3. Maximum wet-bulb temperature ≤38°C. No dew condensation.

## INPUT/OUTPUT TERMINALS – TFT-LCD PANEL DRIVING SECTION

| PIN NUMBER | SYMBOL                         | I/O | DESCRIPTION   | NOTE |
|------------|--------------------------------|-----|---|------|
| 1          | $\overline{\text{HSY}}$        | O   | Internal Horizontal Sync Signal (In Phase With VBS)                   | –    |
| 2          | $\overline{\text{VSY}}$        | O   | Internal Vertical Sync Signal (In Phase With VBS)                     | –    |
| 3          | TST                            | –   | This is Electrically Opened During Operation                          | –    |
| 4          | $\text{N}/\overline{\text{P}}$ | I   | Terminal for Display Mode Change of NTSC and PAL                      | 1    |
| 5          | TST                            | –   | This Shall Be Electrically Opened During Operation                    | –    |
| 6          | GND                            | I   | Ground  | –    |
| 7          | VSW                            | I   | Selection Signal of Two Sets of Video Signals                         | 2    |
| 8          | GND                            | I   | Ground  | –    |
| 9          | $V_{\text{CDC}}$               | I   | DC Bias Voltage Adjusting Terminal of Common Electrode Driving Signal | 3    |
| 10         | VSH                            | I   | Positive Power Supply Voltage   | –    |
| 11         | $\overline{\text{VBS}}$        | I   | Composite Video Signal For Sync Separator                             | 4    |
| 12         | BRT                            | I   | Brightness Adjusting Terminal   | 5    |
| 13         | VR1                            | I   | Color Video Signal – Red 1  | –    |
| 14         | VG1                            | I   | Color Video Signal – Green 1  | –    |
| 15         | VB1                            | I   | Color Video Signal – Blue 1   | –    |
| 16         | VSL                            | I   | Negative Power Supply Voltage   | –    |
| 17         | VR2                            | I   | Color Video Signal – Red 2  | –    |
| 18         | VG2                            | I   | Color Video Signal – Green 2  | –    |
| 19         | VB2                            | I   | Color Video Signal – Blue 2   | –    |
| 20         | GND                            | I   | Ground  | –    |

**NOTES:**

In the following descriptions, 'High' means 'VSH' and 'Low' means 'GND'.

1. Selects display mode:
  - a. When  $\text{N}/\overline{\text{P}}$  is 'High' or open, the module operates in NTSC (M) mode.
  - b. When  $\text{N}/\overline{\text{P}}$  is 'Low', the module operates in PAL (BG) mode.
2. Selects a set of RGB video signals:
  - a. When VSW is 'High' or open, video signal set 1 (Pin numbers 13 through 15) is selected.
  - b. When VSW is 'Low', video signal set 2 (Pins number 17 through 19) is selected.
3. Common electrode driving signal ( $V_{\text{COM}}$ ) generated in the module is observed on the pin. Should be opened during operation, as the DC component of  $V_{\text{COM}}$  ( $V_{\text{CDC}}$ ) is adjusted to the optimum value with  $V_{\text{SH}}$  and  $V_{\text{SL}}$  being the typical values on shipping. In case of change of the optimum value (for example, lowering of the power source), it should be re-adjusted by the built-in variable resistor ( $V_{\text{CDC}}$ ) or external circuit shown in Figure 5. Refer to 'Adjusting Method of Optimum Common Electrode DC Bias Voltage' for readjusting.
4. Responsive to standard composite sync signal with negative polarity of the same amplitude level as that of the composite video signal.
5. Brightness (black level of video signal) is adjusted by the DC voltage supplied to the pin. Brightness is adjusted to the optimum value on shipping, but, it can be re-adjusted by the built-in variable resistor (BRT) or external circuit shown in Figure 5.

## INPUT/OUTPUT TERMINALS – BACKLIGHT DRIVING SECTION

| PIN NUMBER | SYMBOL | I/O | DESCRIPTION  | NOTE |
|------------|--------|-----|--|------|
| L1         | VL1    | I   | Power Supply For Fluorescent Tube (1) (GND)        | 1    |
| L2         | NC     | –   | No Connection                                      | –    |
| L3         | VL2    | I   | Power Supply For Fluorescent Tube 1 (High Voltage) | –    |
| L4         | VL3    | I   | Power Supply For Fluorescent Tube 2 (High Voltage) | –    |
| L5         | NC     | I   | No Connection                                      | –    |
| L6         | VL4    | O   | Power Supply For Fluorescent Tube (2) (GND)        | 1    |

### NOTE:

- Should be grounded by the backlight driving DC/AC inverter, as the L1 and L6 terminals are connected with the shielding film in the module. These terminals will be grounded by the optional DC/AC inverter. For internal electrical connection of backlight unit, see Figure 4.

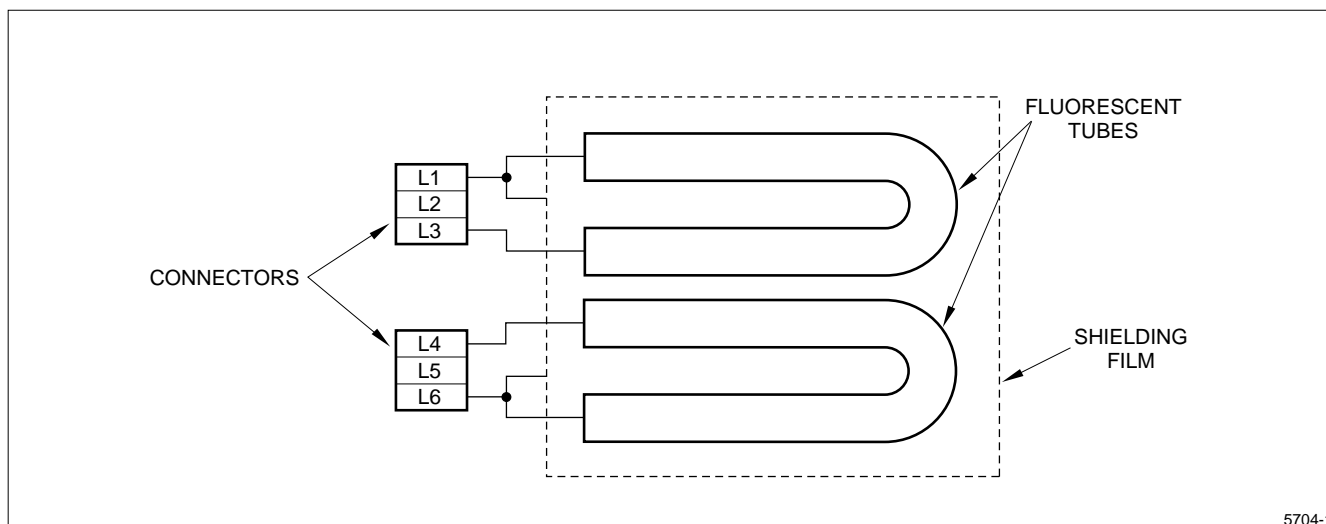


Figure 4. Wiring Diagram of Backlight Unit

## RECOMMENDED OPERATING CONDITIONS – TFT-LCD PANEL SECTION (GND = 0 V, $t_A = 25^\circ\text{C}$ )

| SYMBOL           | PARAMETER  | MIN. | TYP. | MAX.     | UNIT      | NOTE |
|------------------|--|------|------|----------|-----------|------|
| $V_{SH}$         | Positive Power Supply Voltage                      | +4.8 | +5.0 | +5.2     | V         | –    |
| $V_{SL}$         | Negative Power Supply Voltage                      | –7.6 | –8.0 | –8.4     | V         | –    |
| $\overline{VBS}$ | Analog Input Voltage – Amplitude                   | 0.7  | 1.0  | 1.3      | $V_{P-P}$ | 1    |
| $V_i$            |  | –    | 0.7  | –        | $V_{P-P}$ | 1, 2 |
| $V_{IOC}$        | Analog Input Voltage – DC Component                | –1.0 | 0    | +1.0     | V         | 3    |
| $V_{IN}$         | Digital Input Voltage – High Level                 | +3.5 | –    | $V_{SH}$ | V         | 4    |
| $V_{IL}$         | Digital Input Voltage – Low Level                  | 0    | –    | +1.5     | V         |      |
| $V_{OH}$         | Digital Output Voltage – High Level                | +3.5 | –    | $V_{SH}$ | V         | 5    |
| $V_{OL}$         | Digital Output Voltage – Low Level                 | 0    | –    | +1.5     | V         |      |
| $V_{CDC}$        | DC Bias Voltage of Common Electrode Driving Signal | –4.5 | –3.5 | –2.5     | V         | 6    |
| $V_{BRT}$        | Terminal Voltage For Brightness Adjustment         | 1.2  | 2.2  | 3.2      | V         | –    |

### NOTES:

- Input impedance: > 20 k $\Omega$ .
- $V_{RI}$ ,  $V_{GI}$ ,  $V_{BI}$ ,  $V_{R2}$ ,  $V_{G2}$ ,  $V_{B2}$  terminals (Video signals).
- $\overline{VBS}$ ,  $V_{RI}$ ,  $V_{GI}$ ,  $V_{BI}$ ,  $V_{R2}$ ,  $V_{G2}$ ,  $V_{B2}$  terminals (Video signals).
- $N/\overline{P}$ ,  $VSW$  terminals.  
Input impedance: >50 k $\Omega$ .
- $\overline{HSY}$ ,  $\overline{VSY}$  terminals (Internal sync signals).  
Load resistance: >20 k $\Omega$ .
- Adjusted for each module so as to attain maximum contrast ratio.  
Refer to 'Adjusting Method of Optimum Common Electrode DC Bias Voltage' for adjusting.

## RECOMMENDED OPERATING CONDITIONS – BACKLIGHT DRIVING SECTION ( $t_A = 25^\circ\text{C}$ )

| SYMBOL | PARAMETER        | MIN. | TYP. | MAX. | UNIT       | NOTE               |
|--------|------------------|------|------|------|------------|--------------------|
| $V_L$  | Lamp Voltage     | 290  | 330  | 370  | $V_{RMS}$  | Just for reference |
| $I_L$  | Lamp Current     | 6.0  | 7.0  | 8.0  | $mA_{RMS}$ |                    |
| $f_L$  | Frequency        | 20   | –    | 50   | KHz        | –                  |
| $V_S$  | Kick-Off Voltage | 800  | –    | –    | $V_{RMS}$  | –                  |

### NOTE:

DC/AC inverter for driving cold cathode fluorescent tube (CCFT) is not built in the module.  
DC/AC inverter for external connection (Model Number LQ0J04) is optionally available.

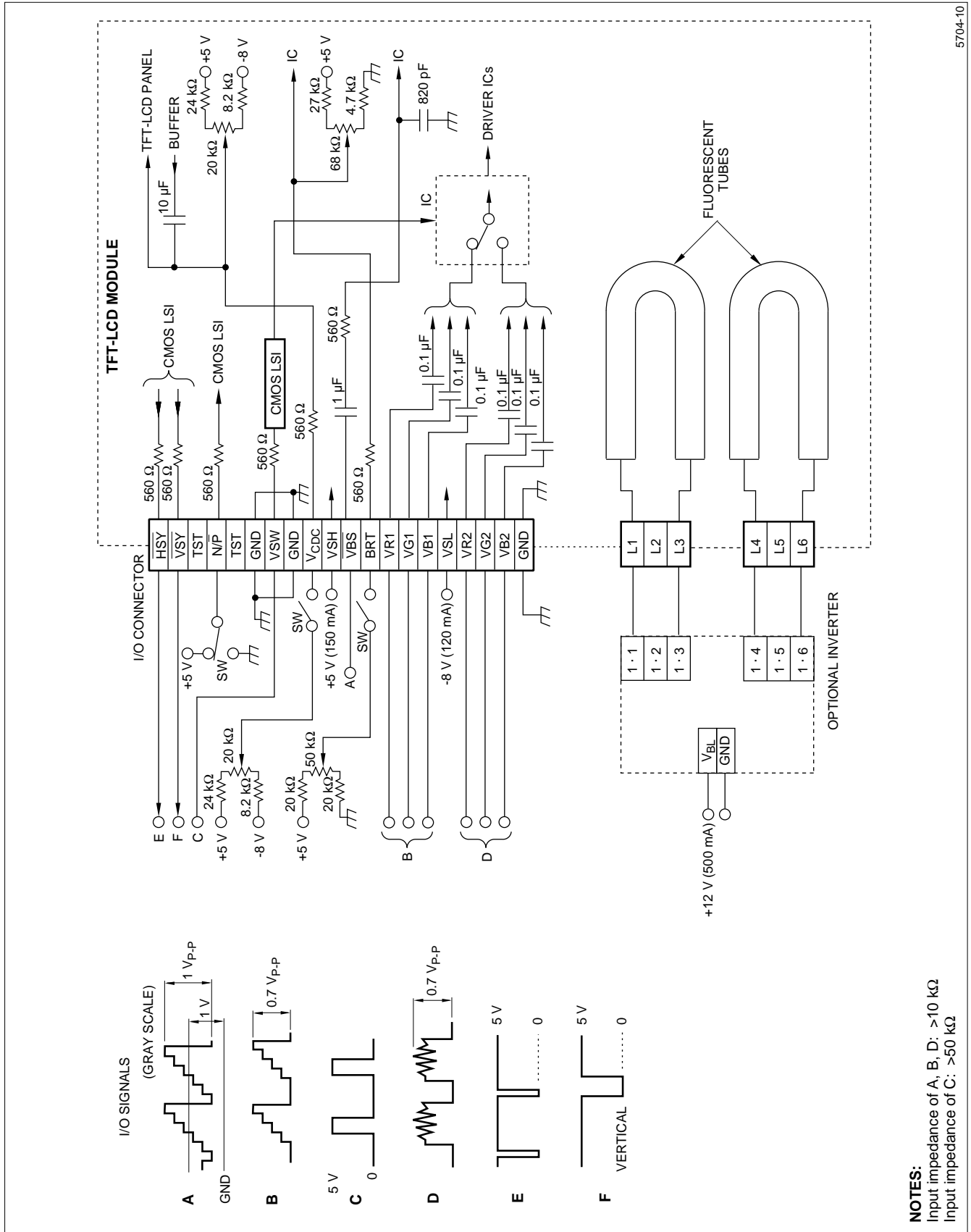
## POWER CONSUMPTION ( $t_A = 25^\circ\text{C}$ )

| SYMBOL   | PARAMETER   | CONDITION               | MIN.   | TYP. | MAX. | UNIT | NOTE |   |
|----------|---|-------------------------|--|------|------|------|------|---|
| $I_{SH}$ | Power Consumption by the Panel Section            | Positive Supply Current | –  | +115 | +150 | mA   | –    |   |
| $I_{SL}$ |   | Negative Supply Current | $V_{SH} = +5.0\text{ V}$<br>$V_{SL} = -8.0\text{ V}$ | –    | –90  | –120 | mA   | – |
| $W_S$    |   | Total                   | –  | 1.30 | 1.71 | W    | 1    |   |
| $W_L$    | Power Consumption by the Fluorescent Tube Section | On rated lighting       | –  | 4.6  | 6.0  | W    | 2    |   |

### NOTES:

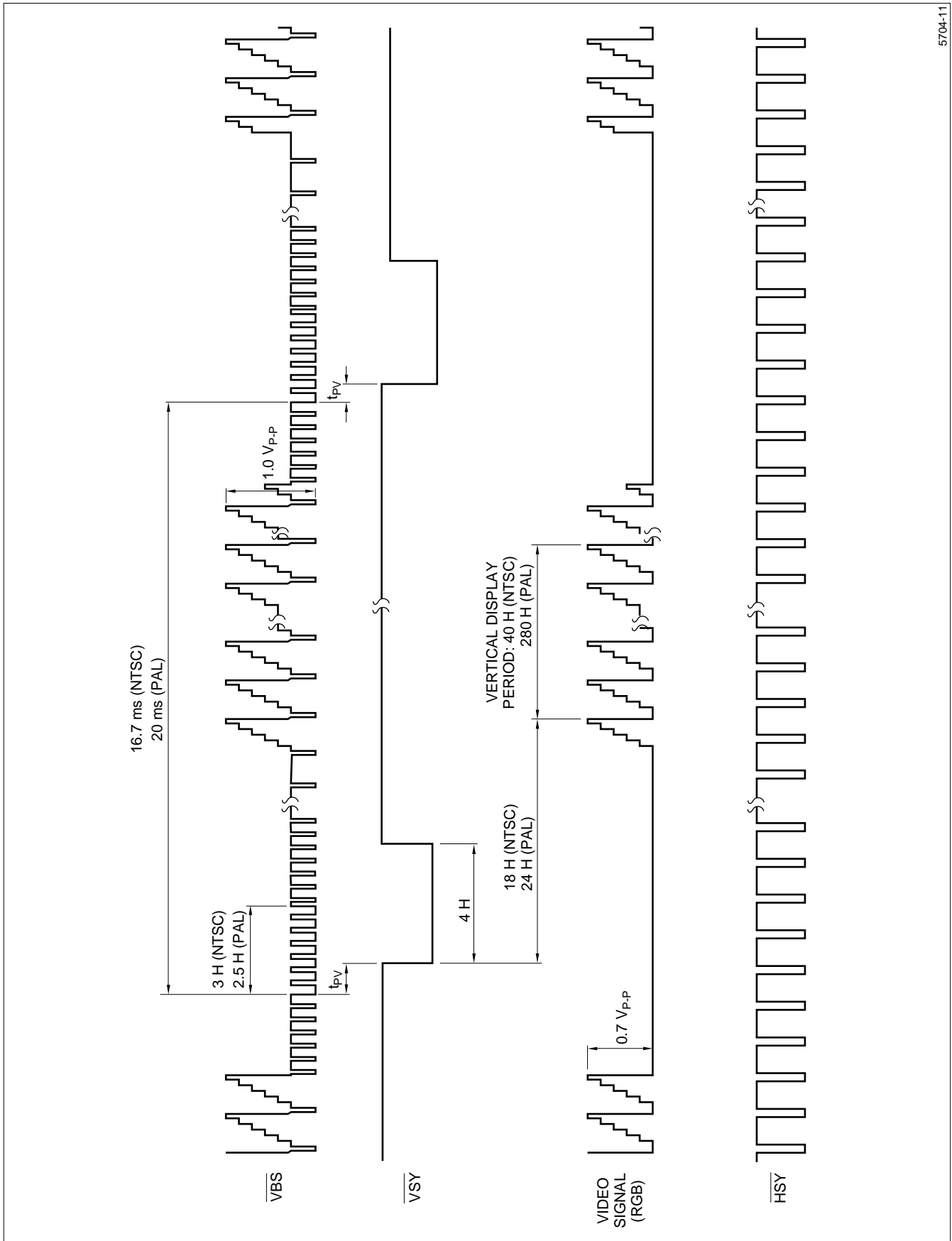
- Excludes power consumption by the backlight.
- Calculated reference value ( $I_L \times V_L$ ).





5704-10

Figure 5. TFT-LCD Module Recommended Circuit



5704-11

Figure 6. Input/Output Signal Waveforms

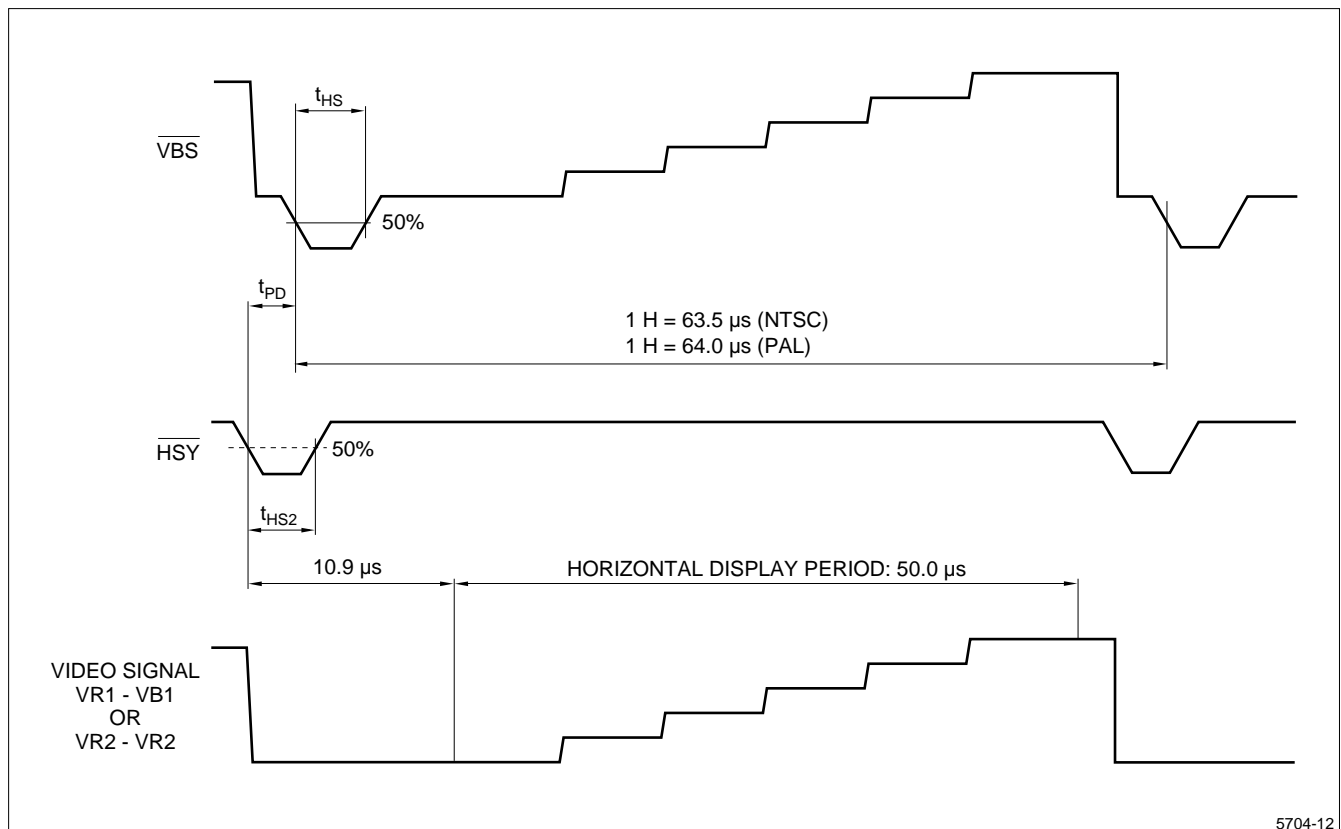


Figure 7. Input/Output Signal Timing Chart

**TIMING CHARACTERISTICS – INPUT/OUTPUT SIGNALS ( $V_{SH} = +5\text{ V}$ ,  $V_{SL} = -8\text{ V}$ )**  
**(NTSC (M):  $f_H = 15.7\text{ kHz}$ ,  $f_V = 60\text{ Hz}$ ) (PAL (BG):  $f_H = 15.6\text{ kHz}$ ,  $f_V = 50\text{ Hz}$ )**

| SYMBOL    | PARAMETER                            | CONDITION | MIN   | TYP   | MAX   | UNIT | NOTE |
|-----------|--------------------------------------|-----------|-------|-------|-------|------|------|
| $t_{HS1}$ | Horizontal Sync – Input Pulse Width  | –         | 4.2   | 4.7   | 5.7   | ms   | –    |
| $t_{HS2}$ | Horizontal Sync – Output Pulse Width | $f = f_H$ | 2.3   | 3.0   | 4.6   |      | 1    |
| $t_{pd}$  | Horizontal Sync Phase Difference     | –         | –1.5  | –     | 1.3   |      | 2    |
| $t_{vs}$  | Vertical Sync Output Pulse Width     | $4/f_H$   | 243   | 256   | 269   |      | –    |
| $t_{pv}$  | Vertical Sync Phase Difference       | –         | 67/33 | 73/39 | 79/45 |      | 3    |

**NOTES:**

- Adjusted by variable resistor (H-POS).
- Variable range by variable resistor (H-POS) (Positive when  $\overline{HSY}$  proceeds  $\overline{VBS}$ ). Adjusted value:  $t_{pd} = 0.1 \pm 0.7\ \mu\text{s}$ .
- Odd field/Even field ( $1/f_H/0.5/f_H$ )

## Display Time Range

When sync signal of NTSC (M) system is applied:

- Horizontally: 10.9  $\mu$ s to 61.0  $\mu$ s from the falling edge of HSY.
- Vertically: 19H to 258H from the falling edge of VSY.

When sync signal of PAL (BG) system is applied:

- Horizontally: 10.9  $\mu$ s to 61.0  $\mu$ s from the falling edge of HSY.
- Vertically: 25H to 304H from the falling edge of VSY.

The video signals of (14n + 12) H, (14n + 20) H/Even field, (14n + 17) H, (14n + 23) H/Odd field (n = 1,2,3, . . . ,20) are not displayed on the module.

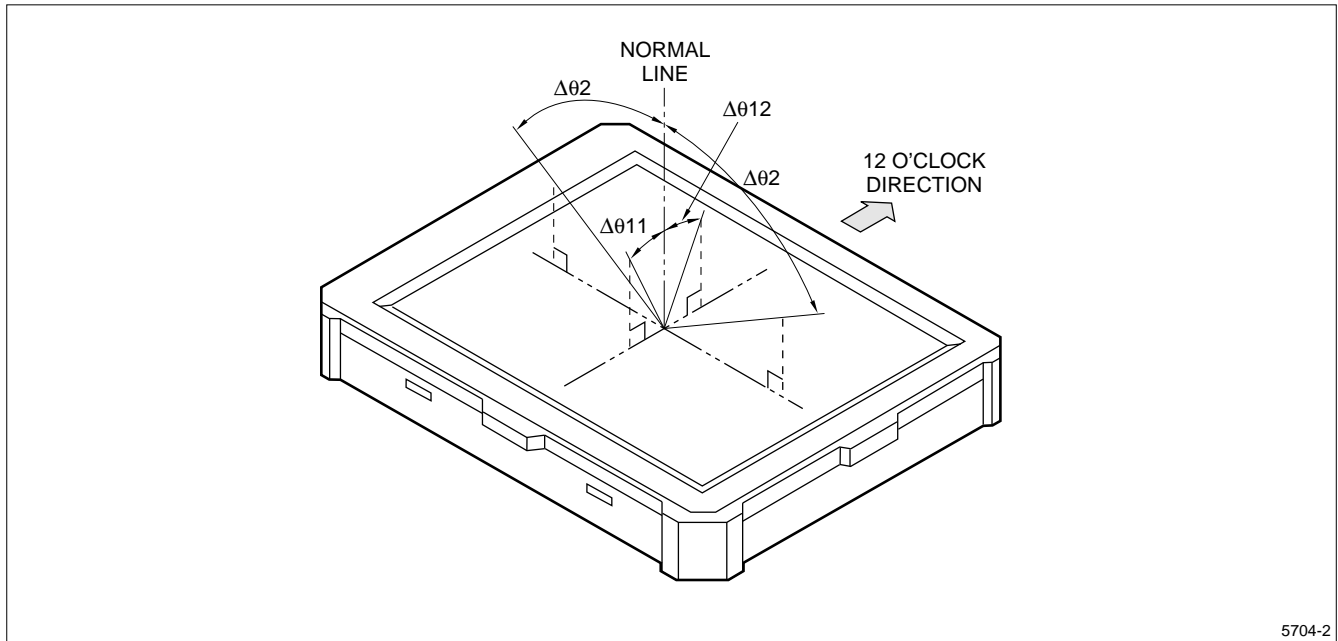
## OPTICAL CHARACTERISTICS

| SYMBOL            | PARAMETER             | CONDITION           | MIN     | TYP   | MAX   | UNIT    | NOTE                         |
|-------------------|-----------------------|---------------------|---------|-------|-------|---------|------------------------------|
| $\Delta\theta$ 11 | Viewing Angle Range   | CR $\geq$ 10        | 30 (10) | –     | –     | degrees | LQ6RA01<br>(LQ6RA02)<br>1, 2 |
| $\Delta\theta$ 12 |                       |                     | 10 (30) | –     | –     |         |                              |
| $\Delta\theta$ 2  |                       |                     | 45      | –     | –     |         |                              |
| CR <sub>MAX</sub> | Contrast Ratio        | $\theta = 0^\circ$  | 30      | –     | –     | –       | 2, 3                         |
| t <sub>R</sub>    | Response Time – Rise  | $\theta = 15^\circ$ | –       | 30    | –     | ms      | 2                            |
| t <sub>D</sub>    | Response Time – Decay |                     | –       | 50    | –     | ms      | 4                            |
| Y <sub>L</sub>    | Brightness            | $\theta = 0^\circ$  | 100     | 120   | –     | nt      | 5                            |
| K <sub>L</sub>    | Color Temperature     |                     | –       | 7900  | –     | K       | 5                            |
| x                 | White Chromaticity    |                     | 0.247   | 0.297 | 0.347 | –       |                              |
| y                 |                       |                     | 0.262   | 0.312 | 0.362 | –       |                              |

### NOTES:

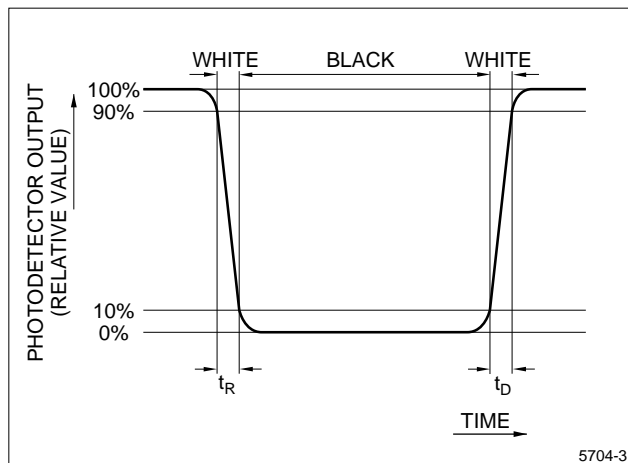
1. Viewing angle range is defined in Figure 8.
2. Applied voltage for measuring optical characteristics:
  - a. V<sub>cdc</sub> must be adjusted by the Flicker measuring method or the Contrast measuring method described in 'Adjusting Method of Optimum Common Electrode DC Bias Voltage'.
  - b. Brightness adjusting terminal (BRT) should be opened.
  - c. Video signal of reference black level and 100% white level must be input.
3. Contrast ratio is defined as follows:  
 Contrast ratio is calculated with the following formula in the optical characteristics measuring method shown in Figure 10.  

$$\text{Contrast ratio (CR)} = \frac{\text{Photodetector output with LCD being 'white'}}{\text{Photodetector output with LCD being 'black'}}$$
4. Input signals are applied to the area measured to make the area 'white' and 'black' respectively, and change with time in the photodetector output is measured in the optical characteristics measuring method shown in Figure 10.
5. Measured on the center area of the panel at the viewing cone 1° by TOPCON luminance meter BM-7.



5704-2

Figure 8. Definition of Viewing Angle Range



5704-3

Figure 9. Definition of Response Time

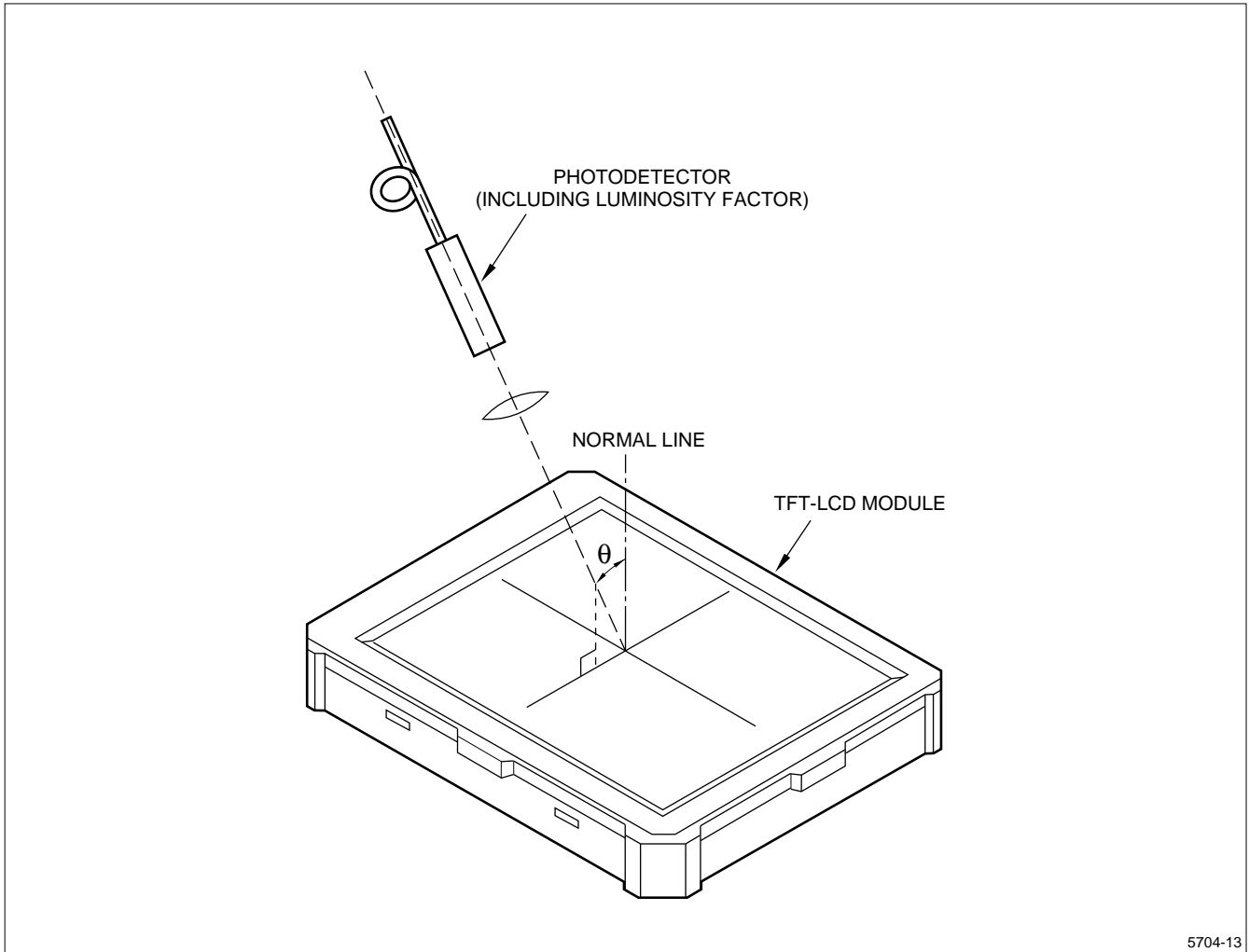


Figure 10. Optical Characteristics Measuring Method

## MECHANICAL CHARACTERISTICS

### External Appearance

There shall not be any conspicuous defects. (See Outline Dimensions diagram.)

### Panel Durability

The panel shall not break when the panel center is pressed with 2 kg force by 15 mm diameter smooth flat surface.

**Caution:** The least force can cause functional troubles if it is applied on the active area for a long time.

### I/O Connector Performance

I/O connector of LCD panel driving circuit (FPC connector 20 pins):

- Applicable FPC: Shown in Figure 11.
- Terminal holding force: 100 g or larger/pin. (Each terminal is pulled out at a rate of  $25 \pm 3$  mm/minute.)
- Insertion/pulling durability: Contact resistance not larger than double the initial value after applicable FPC is inserted and pulled out 20 times.

### I/O Connector of Backlight Driving Circuit (XH Connector 3 Pins x 2 Pieces)

- Applicable connector housing: XHP-3 (produced by Japan Solderless Terminal).
- Terminal holding force: 100 g or more/pin. (Pulled out at a rate of 1 mm/second through 5 mm/second.)
- Insertion/pulling durability: Contact resistance not larger than double the initial value after connectors are inserted and pulled out 20 times.

## DISPLAY QUALITY

The display quality of the color TFT-LCD module shall be in compliance with the Delivery Inspection Standard (separate sheet LDI-90522).

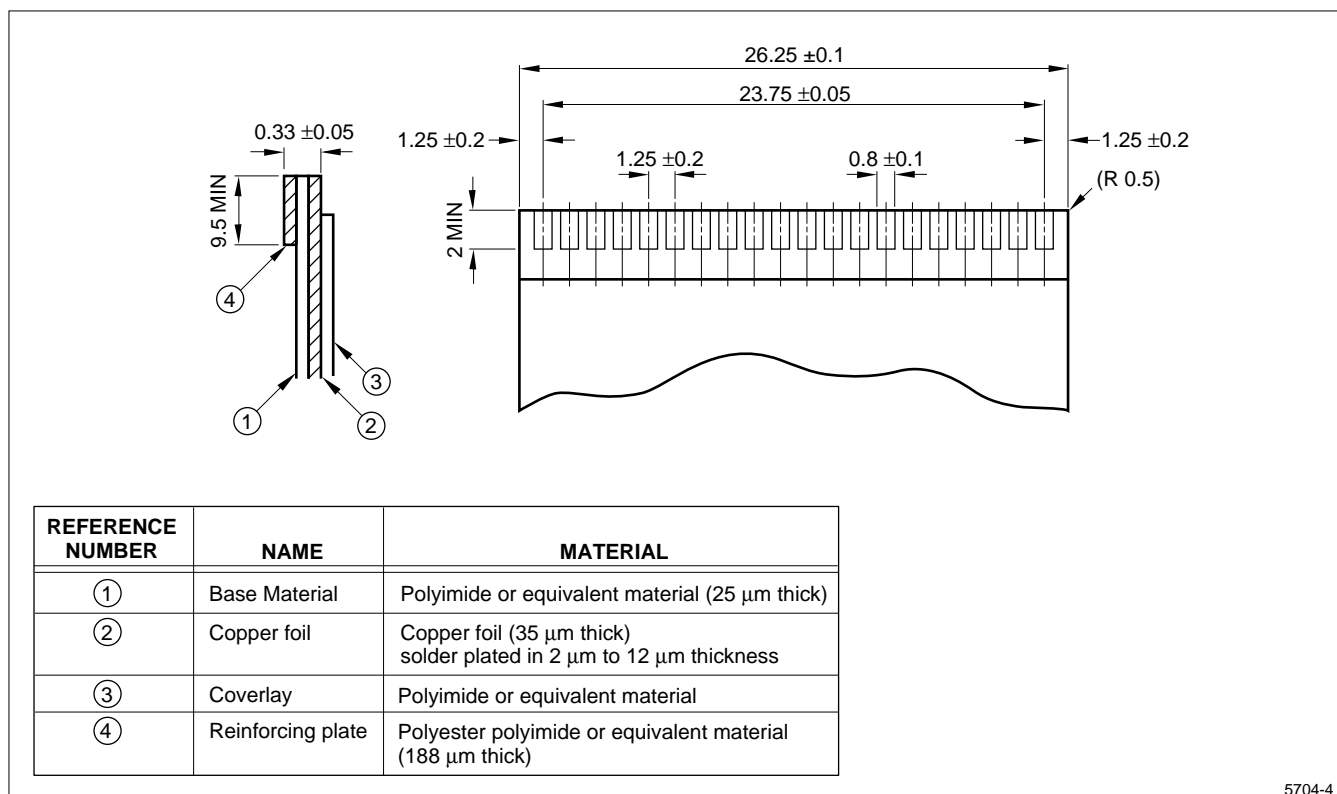


Figure 11. Applicable FPC For I/O Connector (1.25 mm pitch)

## HANDLING INSTRUCTIONS

### Mounting of Module

The TFT-LCD module is designed to be mounted on equipment using the mounting tabs in the four corners of the module rear face. When mounting the module, using the M3 tapping screw (fastening torque is 5 kg • cm through 6 kg • cm) is recommended. Be sure to fix the module on the same plane, taking care not to warp or twist the module.

### Precautions in Mounting

- The polarizer, which is made of soft material and susceptible to flaws, must be handled carefully. Protective film (laminator) is applied to the surface to protect it against scratches and dirt. It is recommended that the laminator be peeled off just before using, avoiding static electricity.
- Use caution when peeling off the laminator.

### Working Environment

When the laminator is peeled off, static electricity may cause dust to stick to the polarizer surface. To avoid this, the following working environment is desirable:

- Floor: Conductive (anti-electrostatic) treatment of 1 M $\Omega$  or more on the tile or a conductive mat or conductive paint on the tile.
- Clean, dust-free room with an adhesive mat placed in the doorway.
- Humidity: 50% to 70% RH.
- Workers shall wear conductive (anti-electrostatic) shoes, conductive work clothes, conductive gloves and a ground strap.

### Working Procedures

- Direct the wind of the heated ionized air discharging blower somewhat downward to ensure that the module is blown sufficiently. Keep the distance between the module and the blower within 20 cm (see Figure 12A).
- Attach adhesive tape to the laminator part near the discharging blower to protect polarizer against flaws (see Figure 12B).
- Peel off laminator, pulling adhesive tape slowly to your side taking five or more seconds. It is important it take more than five seconds.
- After peeling off the laminator, pass the module to the next work process immediately without getting the module dusty.
- Method of removing dust from polarizer:
  - Blow off dust with N<sub>2</sub> blower for which static electricity preventive measure has been taken. Ionized air gun (Hugle Electronics Co.) is recommended.
  - Since polarizer is easily damaged, wiping should be avoided. If wiping is unavoidable, wipe it carefully with lens cleaning cloth, breathing on it. 'Belleseime' (Kanebo, Ltd.) is desirable.
- When metal parts of the TFT-LCD module (shielding lid and rear case) are soiled, wipe it with soft dry cloth. For stubborn dirt, wipe the part, breathing gently on it.
- Wipe off liquid immediately since it can cause color changes or staining.
- The LCD is made of glass plates. Use care when handling it to avoid breakages
- This unit contains CMOS LSIs which are sensitive to electrostatic charges. Use care to protect the unit from electrostatic discharge.

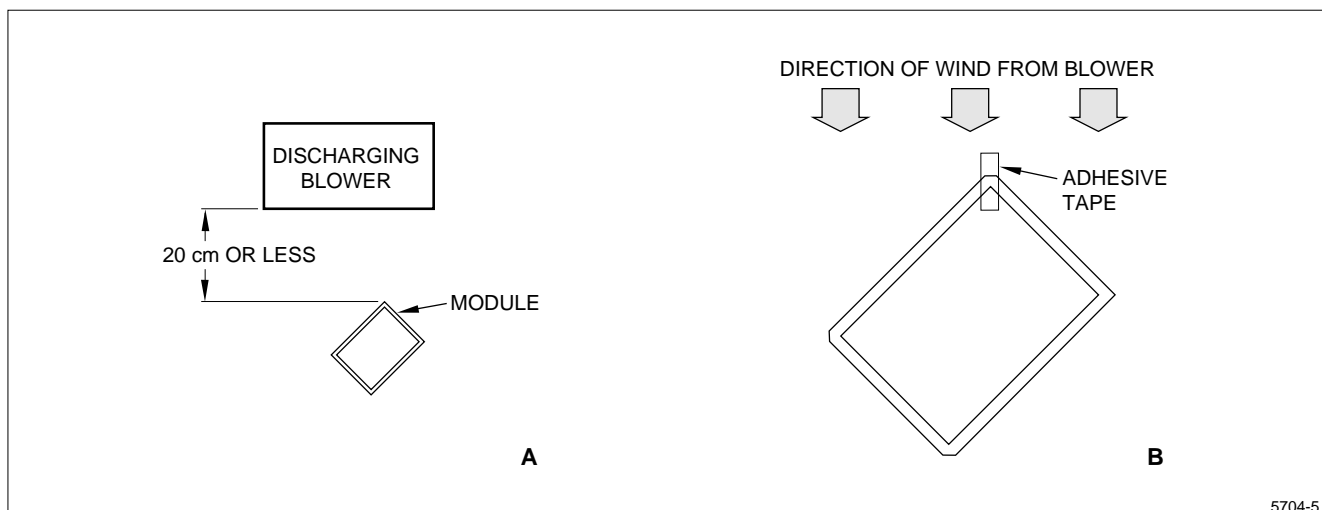


Figure 12. Proper Use of Discharging Blower



### Precautions In Adjusting Module

- Adjusting volumes on the rear face of the module have been set optimally before shipment. Therefore, do not change any adjusted values. If adjusted values are changed, the specifications described in this technical literature may not be satisfied.

### Other Precautions

- Do not expose the unit to direct sunlight, strong ultraviolet rays, etc., for prolonged periods.
- Store the unit at normal room temperature to prevent the LC from converting to liquid (due to excessive temperature changes).
- If the LCD panel breaks, the liquid crystal may escape from the panel. The liquid crystal is harmful, so do not put it into the eyes or mouth. When liquid crystal sticks to hands, feet or clothes, wash it out immediately with soap.
- Observe all other precautionary requirements in handling general electronic components.

#### COCOM

This product falls under 'strategic product' according to the export trade control ordinance in force. Export of the item requires an export license issued by the related authorities.

Please confirm with us whether the license is necessary since the ordinance may be revised by the authorities.

### SHIPPING REQUIREMENTS

Packing form is shown in Figure 13.

#### Carton Storage Conditions

- Number of layers of cartons in pile: 10 layers maximum.
- Environmental conditions:
  - Temperature: 0°C to 40°C.
  - Humidity: 60% RH or less (at 40°C). No dew condensation even at a low temperature and high humidity.
  - Atmosphere: Harmful gases such as acid and alkali which corrode electronic components and wires must not be detected.
  - Storage Period: Approximately three months.
  - Opening of Package: To prevent TFT-LCD module from being damaged by static electricity, adjust the room humidity to 50% RH or higher and provide an appropriate measure for electrostatic grounding before opening the package.

#### Result Evaluation Criteria

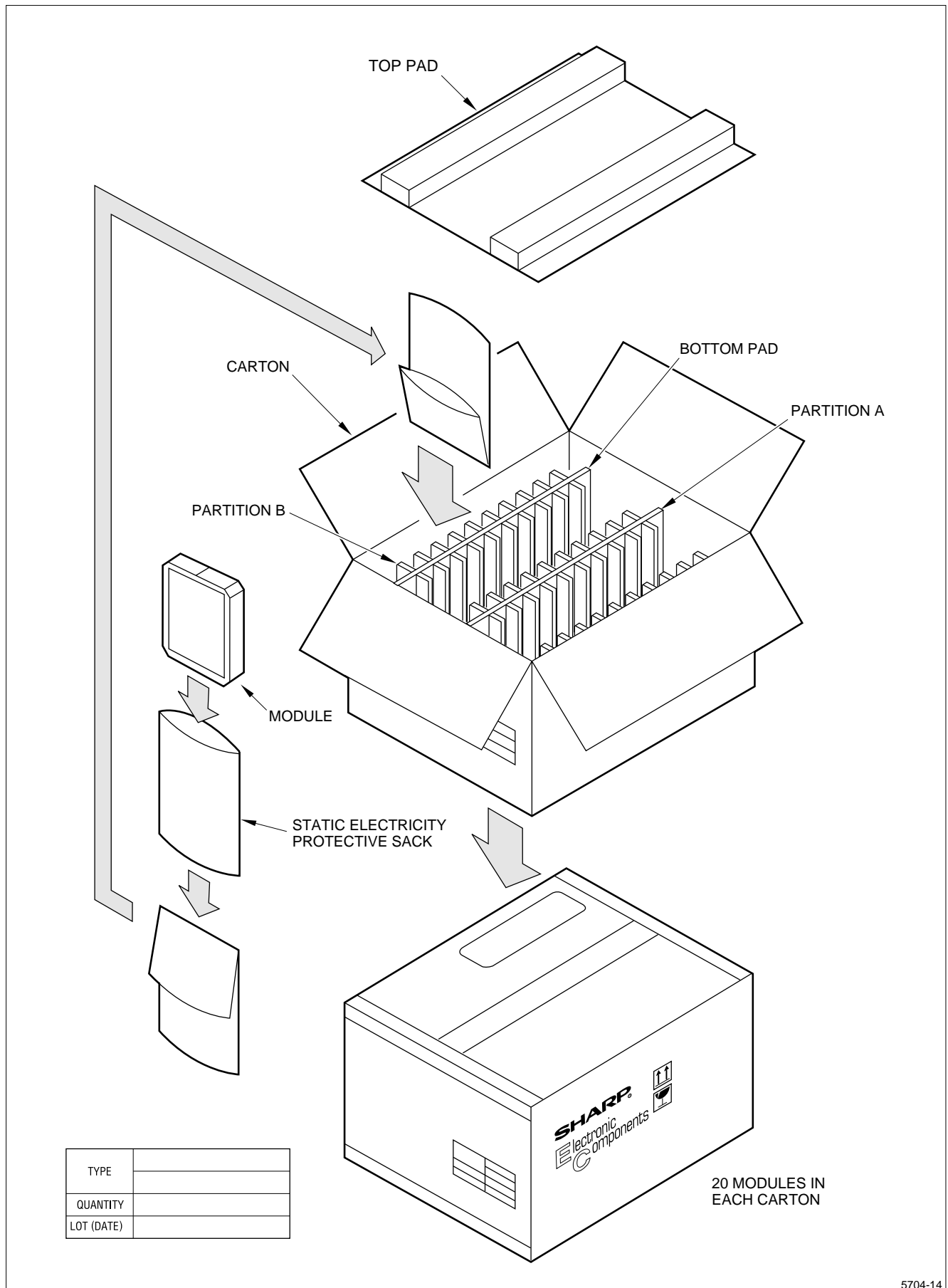
Under the display quality test conditions with normal operation state, there shall be no change which may affect practical display function.

#### OTHER INFORMATION

If any problem should arise from this specification, the supplier and user should work out a mutually acceptable solution.

### RELIABILITY TEST ITEMS

| NUMBER | TEST ITEM   | CONDITIONS  |
|--------|---|---|
| 1      | High Temperature Storage Test                     | $t_A = 60^\circ\text{C}$ , 240 H  |
| 2      | Low Temperature Storage Test                      | $t_A = -25^\circ\text{C}$ , 240 H   |
| 3      | High Temperature and High Humidity Operation Test | $t_A = 40^\circ\text{C}$ , 95% RH, 240 H  |
| 4      | High Temperature Operation Test                   | $t_A = 40^\circ\text{C}$ , 240 H  |
| 5      | Low Temperature Operation Test                    | $t_A = 0^\circ\text{C}$ , 240 H   |
| 6      | Electrostatic Discharge Test                      | $\pm 200\text{ V}$ , 200 pF (0 $\Omega$ ), Once for each terminal   |
| 7      | Shock Test  | 100 g, 6 ms, $\pm X/\pm Y/\pm Z$ , three times for each direction (JIS C7021, A-7 Condition C)  |
| 8      | Vibration Test                                    | Frequency range: 10 Hz to 55Hz<br>Stroke: 1.5 mm<br>Sweep: 10 Hz to 55 Hz to 10 Hz<br>Two hours for each direction of X/Y/Z (six hours total) (JIS C7021, A-10 Condition A) |
| 9      | Heat Shock Test                                   | $-25^\circ\text{C}$ to $+60^\circ\text{C}/5$ cycles (two hours/cycle)<br>(1 H) (1 H)  |



5704-14

Figure 13. Packing Form

## CONSTRUCTION OF TFT-LCD MODULE

TFT-LCD module is composed of an LCD panel, driver ICs for the LCD panel, a control circuit for the driver ICs, a video signal processing circuit (video interface circuit) peculiar to LCD, and a backlight.

The driver ICs are divided into two types: a source driver (data driver) which receives RGB signals and sends them sequentially by one horizontal line of the LCD panel, and a gate driver (scan driver) which scans 240 gate lines of the LCD panel.

The circuit diagram is shown in Figure 3.

The module displays an image on LCD panel as it receives power supplies ( $V_{SH}$ ,  $V_{SL}$ ), composite video signal, RGB video signals, DC bias voltage of common electrode driving signal ( $V_{CDC}$ ), selection signal of composite and RGB video signals (VSW), brightness adjusting DC voltage (BRT), color gain adjusting DC voltage (COL), tint adjusting DC voltage (TIN), and contrast adjusting DC voltage (CNT), from the exterior.

The composite video signal is subject to synchronous separation in the module and used to write a video signal accurately on each pixel on the module.

The control circuit receives composite synchronizing signal separated in the video interface circuit, generates clock pulses synchronized with the composite synchronizing signal and gate and source drivers-driving signals, and outputs internal horizontal synchronizing signal ( $\overline{HSY}$ ), internal vertical synchronizing signal ( $\overline{VS\bar{Y}}$ ) and polarity inversion signal (FRP).

The voltage level of RGB video signals applied to the liquid crystal layer of each pixel through the source driver and TFT is about  $3.7 V_{P-P}$  from black to white level. In order to prevent the electro-chemical decomposition of the liquid crystal, it is necessary to apply AC voltage to the liquid crystal. For this purpose, the polarity of the video signals must be alternated. Since the amplification and polarity inversion of the video signals are performed in the video interface circuit in the module using the polarity inversion signal (FRP), composite video signal of  $1.0 V_{P-P}$  or standard analog RGB signals of  $0.7 V_{P-P}$  may be used for both of the inputs to the module.

Power supplies to this module are 5 V ( $V_{SH}$ ), 0 V (GND), and -8 V ( $V_{SL}$ ). Control IC operates on 0 V to 5 V line so that it outputs  $\overline{HSY}$  and  $\overline{VS\bar{Y}}$  at 0 V to 5 V level. Power supplies to the video interface circuit are  $V_{SH}$  and  $V_{SL}$ .

VSW is used to select composite or RGB video signals. VSW selects the first set of video signals when it is 'High' or open, and selects the second set when it is 'Low'.

$N/\bar{P}$  is used to select display mode. When it is 'High' or open, the module operates in NTSC (M) mode, and when it is 'Low', the module operates in PAL (BG) mode.

BRT and  $V_{CDC}$  are adjusted to the optimum value on shipping.

The module contains backlight (cold cathode fluorescent tubes) but not a driving circuit for the backlight. Therefore, it is necessary to install a DC/AC inverter for driving the fluorescent tubes.

Standard DC/AC inverter (Model name: LQ0J04) is available as an option.

In addition, the backlight of the module is designed to be replaceable, and backlight unit (Model name: LQ0B04) is available as a service part for the replacement.

## EXAMPLE OF TFT-LCD TV

Figure 14 shows a block diagram example of the TFT-LCD module applied to a TV set.

The block enclosed by the dotted line is the TFT-LCD module.

Other signal processing systems are the same as those in ordinary CRT-TV's.

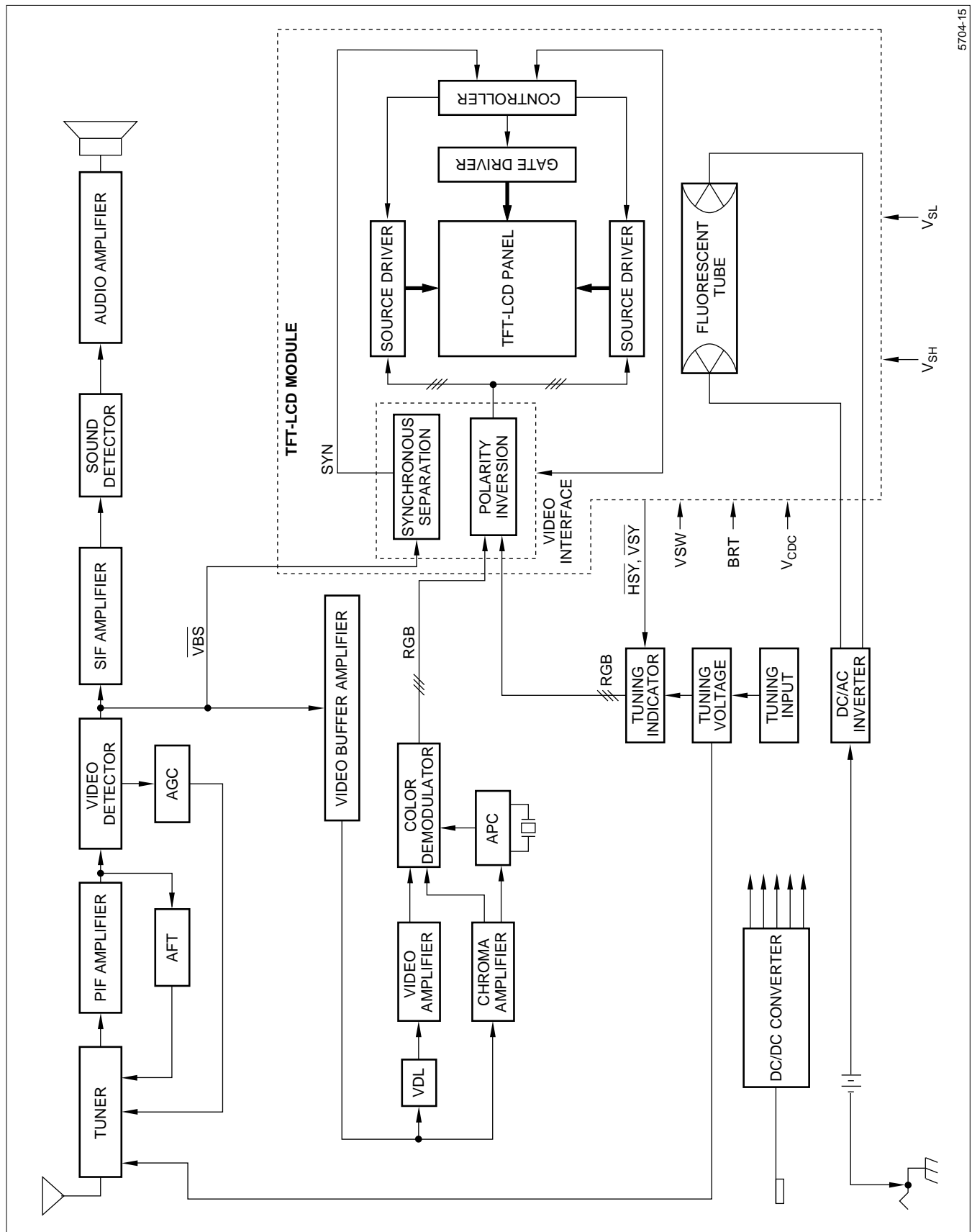
The following seven signals must be supplied to this module from the exterior:

- Composite video signal:  $\overline{VBS}$
- Standard analog RGB video signals in two sets
- Signal for changing display mode:  $N/\bar{P}$
- Signal for selecting input video signals: VSW
- DC bias voltage of common electrode driving signal:  $V_{CDC}$
- Brightness adjusting DC voltage: BRT

The following two signals are output from this module to the exterior:

- Internal horizontal synchronizing signal:  $\overline{HSY}$
- Internal vertical synchronizing signal:  $\overline{VS\bar{Y}}$

When this module is applied to a TV set, for example,  $\overline{HSY}$  and  $\overline{VS\bar{Y}}$  are used to display selected channel number and characters on the screen.



5704-15

Figure 14. Block Diagram of TFT-LCD TV Set

## ADJUSTING METHOD OF OPTIMUM COMMON ELECTRODE DC BIAS VOLTAGE

To obtain optimum DC bias voltage of common electrode driving signal ( $V_{CDC}$ ), photoelectric devices are very effective, and the accuracy is within 0.1 V. (In visual examination method, the accuracy is about 0.5 V because of the difference among individuals.)

To gain optimum common electrode DC bias voltage, there are two methods which use photoelectric devices. The value of optimum DC bias voltage is the same in both methods:

- **Measurement of Flicker:**  
DC bias voltage is adjusted so as to minimize NTSC: 60 Hz (30 Hz), PAL: 50 Hz (25 Hz) flicker.
- **Measurement of Contrast:**  
DC bias voltage is adjusted so as to minimize the photoelectric output voltage.

### Measurement of Flicker

Photoelectric output voltage is measured by an oscilloscope at a system shown in Figure 15.

DC bias voltage must be adjusted so as to minimize the NTSC: 60 Hz (30 Hz), PAL: 50 Hz (25 Hz) flicker with DC bias voltage changing slowly (Figure 16).

### Measurement of Contrast

Photoelectric output voltage is measured by oscilloscope or X-Y recorder by using the system in Figure 15. Common electrode DC bias voltage must be adjusted so as to minimize the photoelectric output voltage with DC bias voltage changing slowly (Figure 17).

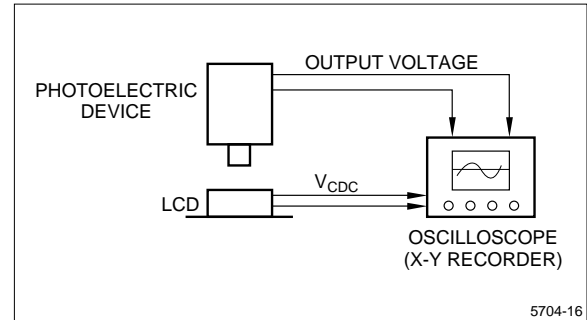


Figure 15. Measurement System

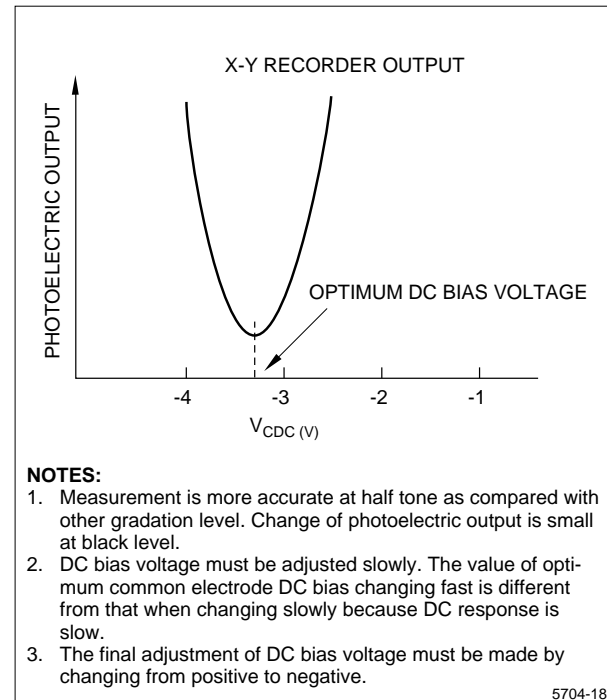


Figure 17. Optimum Common Electrode DC Bias Voltage By Measurement of Contrast

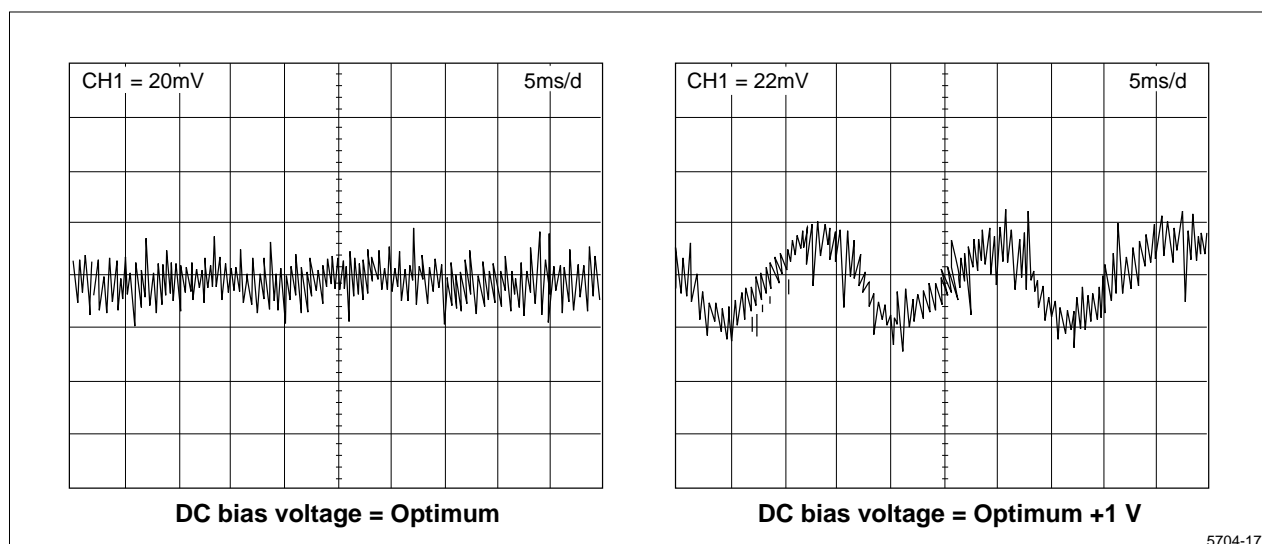
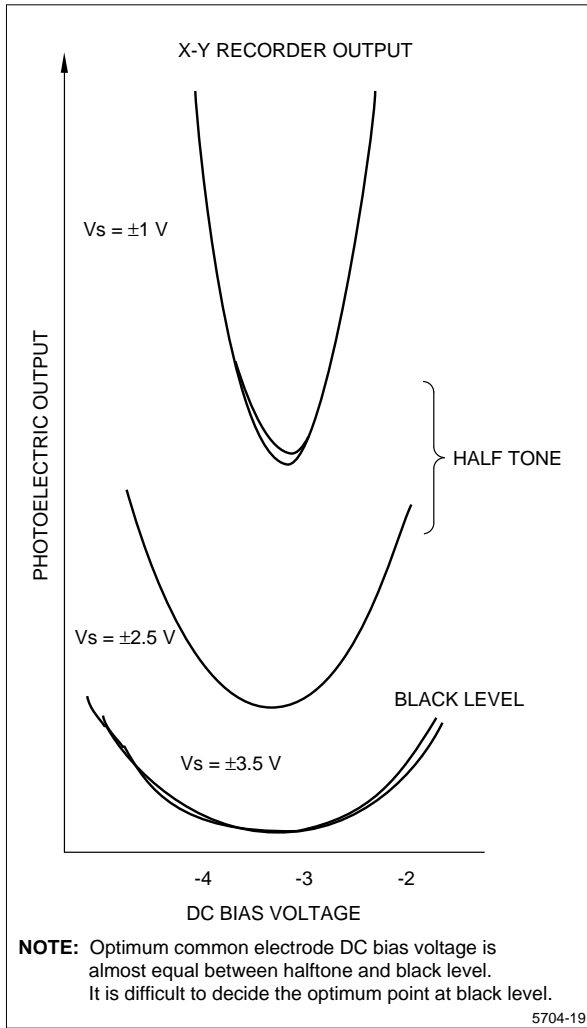
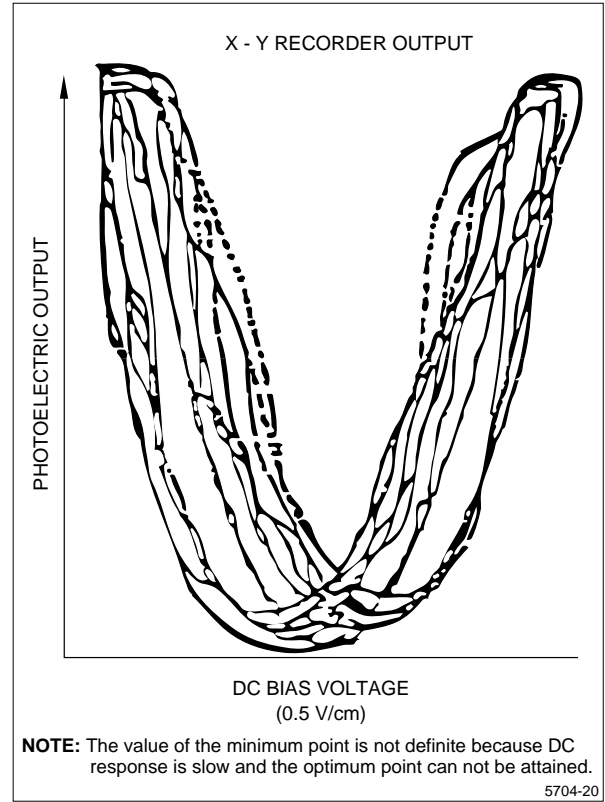


Figure 16. Waveform of Flicker



**Figure 18. Relation Between Gradation Level and DC Bias Voltage**



**Figure 19. Output Voltage With DC Bias Voltage Changing Fast**

OUTLINE DIMENSIONS

